

# Heavy duty flatwork ironer

## C-Flex 900, 1200



### Features and benefits

- Chest type industrial ironer with mobile chest and fixed roll, offering a constant pressure and a maximum ironing surface for the utmost ironing quality
- Steam or thermal fluid heating
- The unique design of the chest and roll combined with an improved thermal insulation give a thermal output close to 97%
- Up to three chest can be mounted together for a 50m/min maximum ironing speed
- Simple and reliable drive, possible thanks to the fixed roll technology
- One adjustable suction fan per roll for an improved vapor suction
- Springpress® fitting for an optimum roll and chest contact and an optimized vapor extraction

### Main options

- Stainless steel Springpress® fitting for an extended longevity
- Nomex padding withstand temperatures above 180°C
- Extra insulation of the casings for a lower energy consumption and an improved working environment
- Vacuum feeding table for an easier use
- Preset ironing speeds or special speed ranges to customize the ironing to the user specificities
- Connection with feeding and folding systems

Main specifications				C-Flex 900	C-Flex 1200
Max. water evaporation*		l/h		205-795	210-1260
Cylinder	number			1-3	1-3
	diameter	mm		900	1200
	length	mm		2700, 3000, 3300, 3500	3000, 3300, 3500, 4200
Ironing speed**		m/min		4-51	6-51
Heating	steam consumption***	kg/h		240-960	295-1530

\* 12 bars steam heating, smallest - biggest machine and 100% cylinder use, see detailed data

\*\* See detailed data for available speed ranges per dimension

\*\*\* 12 bar steam heating, smallest - biggest machine, see detailed data



# Electrolux

Electrical connections		927	930	933	935
Voltage					
400-415V 3AC 50Hz - 1 roll	kW			4.6	
400-415V 3AC 50Hz - 2 rolls	kW			12	
400-415V 3AC 50Hz - 3 rolls	kW			22	
<b>Steam and air connections</b>					
Max. steam pressure	kPa			1400	
Compressed air	DN			15	
<b>1 roll</b>					
Steam	DN			32	
Condensate	DN			25	
Exhaust dia. (K)	mm			200	
Evacuated air	m <sup>3</sup> /h			2000	
<b>2 rolls</b>					
Steam	DN			40	
Condensate	DN			32	
Exhaust dia. (K)	mm			2 x 200	
Evacuated air	m <sup>3</sup> /h			2 x 2000	
<b>3 rolls</b>					
Steam	DN			50	
Condensate	DN			40	
Exhaust dia. (K)	mm			3 x 200	
Evacuated air	m <sup>3</sup> /h			3 x 2000	
<b>Sound level</b>					
Airborne sound level	dB(A)			66	
<b>Heat emission</b>					
% of installed power, standard insulation				5	
% of installed power, extra insulation				3	
<b>Performances and energy consumption</b>					
<b>1 roll</b>					
Max. water evaporation (14 bar)	l/h	205	225	250	265
Steam average consumption (12 bar)	kg/h	240	270	300	320
Average linen output (12 bar)*	kg/h	330	370	410	435
Ironing speed**	m/min	5-15			
<b>2 rolls</b>					
Max. water evaporation (14 bar)	l/h	410	450	500	530
Steam average consumption (12 bar)	kg/h	480	540	600	640
Average linen output (12 bar)*	kg/h	660	740	820	870
Ironing speed**	m/min	9-27			
<b>3 rolls</b>					
Max. water evaporation (14 bar)	l/h	615	675	750	795
Steam average consumption (12 bar)	kg/h	720	810	900	960
Average linen output (12 bar)*	kg/h	940	1110	1230	1305
Ironing speed**	m/min	14-42			
<b>Dimensions</b>					
A width	mm	3900	4200	4500	4700
B ironing width	mm	2700	3000	3300	3500
C length 1 roll	mm	1685			
C length 2 rolls	mm	2955			
C length 3 rolls	mm	4225			
D height	mm	1560			
<b>Net weight</b>					
1 roll	kg	3010	3200	3400	3530
2 rolls	kg	5980	6360	6760	7030
3 rolls	kg	8950	9550	10170	10600

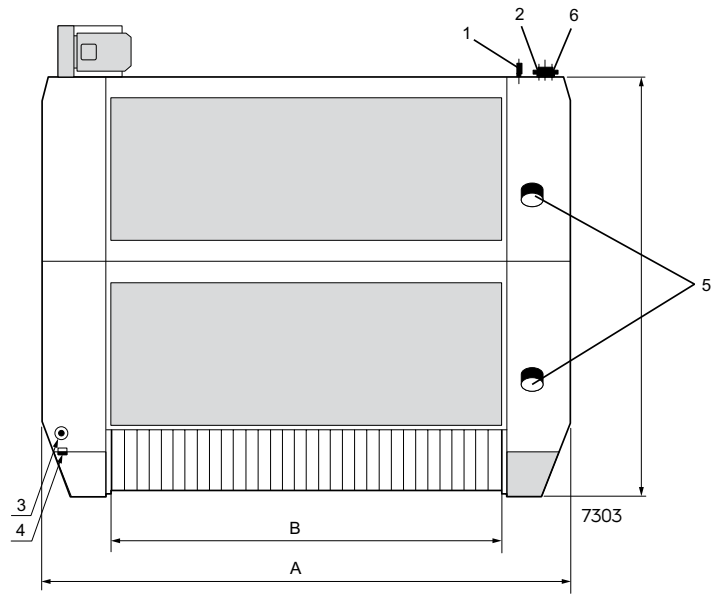
\* 50% residual moisture, 140 gr/m<sup>2</sup> polyester-cotton linen, 100% cylinder use

\*\* Other speed range available on request

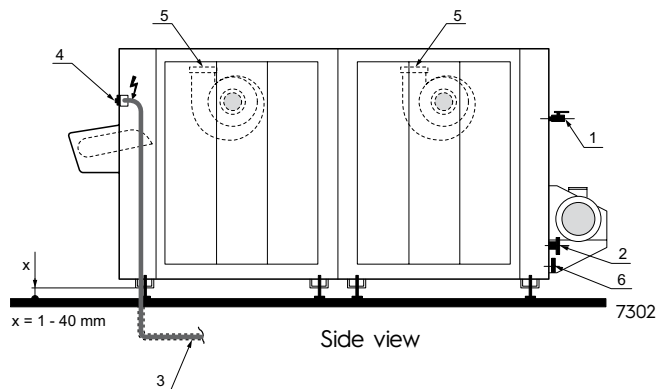
Electrical connections		1230	1233	1235	1242
Voltage					
400-415V 3AC 50Hz - 1 roll	kW			7.9	
400-415V 3AC 50Hz - 2 rolls	kW			19.6	
400-415V 3AC 50Hz - 3 rolls	kW			30	
Steam and air connections					
Max. steam pressure	kPa			1400	
Compressed air	DN			15	
<b>1 roll</b>					
Steam	DN			40	
Condensate	DN			32	
Exhaust dia. (K)	mm			200	
Evacuated air	m <sup>3</sup> /h			2000	
<b>2 rolls</b>					
Steam	DN			50	
Condensate	DN			40	
Exhaust dia. (K)	mm			2 x 200	
Evacuated air	m <sup>3</sup> /h			2 x 2000	
<b>3 rolls</b>					
Steam	DN			65	
Condensate	DN			50	
Exhaust dia. (K)	mm			3 x 200	
Evacuated air	m <sup>3</sup> /h			3 x 2000	
Sound level					
Airborne sound level	dB(A)			66	
Heat emission					
% of installed power, standard insulation				5	
% of installed power, extra insulation				3	
Performances and energy consumption					
<b>1 roll</b>					
Max. water evaporation (14 bar)	l/h	300	330	350	420
Steam average consumption (12 bar)	kg/h	360	395	420	510
Average linen output (12 bar)*	kg/h	500	550	585	710
Ironing speed**	m/min			8-24	
<b>2 rolls</b>					
Max. water evaporation (14 bar)	l/h	600	660	700	840
Steam average consumption (12 bar)	kg/h	720	790	840	1020
Average linen output (12 bar)*	kg/h	1000	1100	1170	1420
Ironing speed**	m/min			14-43	
<b>3 rolls</b>					
Max. water evaporation (14 bar)	l/h	900	990	1050	1260
Steam average consumption (12 bar)	kg/h	1080	1185	1260	1530
Average linen output (12 bar)*	kg/h	1500	1650	1755	2130
Ironing speed**	m/min			14-43	
Dimensions					
A width	mm	4200	4500	4700	5400
B ironing width	mm	3000	3300	3500	4200
C length 1 roll	mm			1985	
C length 2 rolls	mm			3555	
C length 3 rolls	mm			5125	
D height	mm			1760	
Net weight					
1 roll	kg	3860	4100	4360	4820
2 rolls	kg	7700	8200	8530	9700
3 rolls	kg	11630	12400	12900	14650

\* 50% residual moisture, 140 gr/m<sup>2</sup> polyester-cotton linen, 100% cylinder use

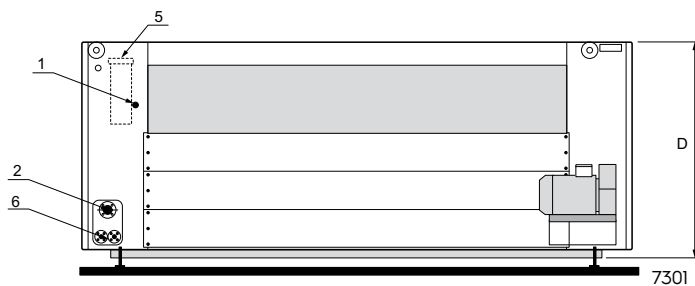
\*\* Other speed range available on request



Top view



Side view



Rear view

- |                        |                         |
|------------------------|-------------------------|
| 1 Compressed air inlet | 4 Main switch           |
| 2 Steam inlet          | 5 Vapor exhaust         |
| 3 Electric connection  | 6 Condensate connection |